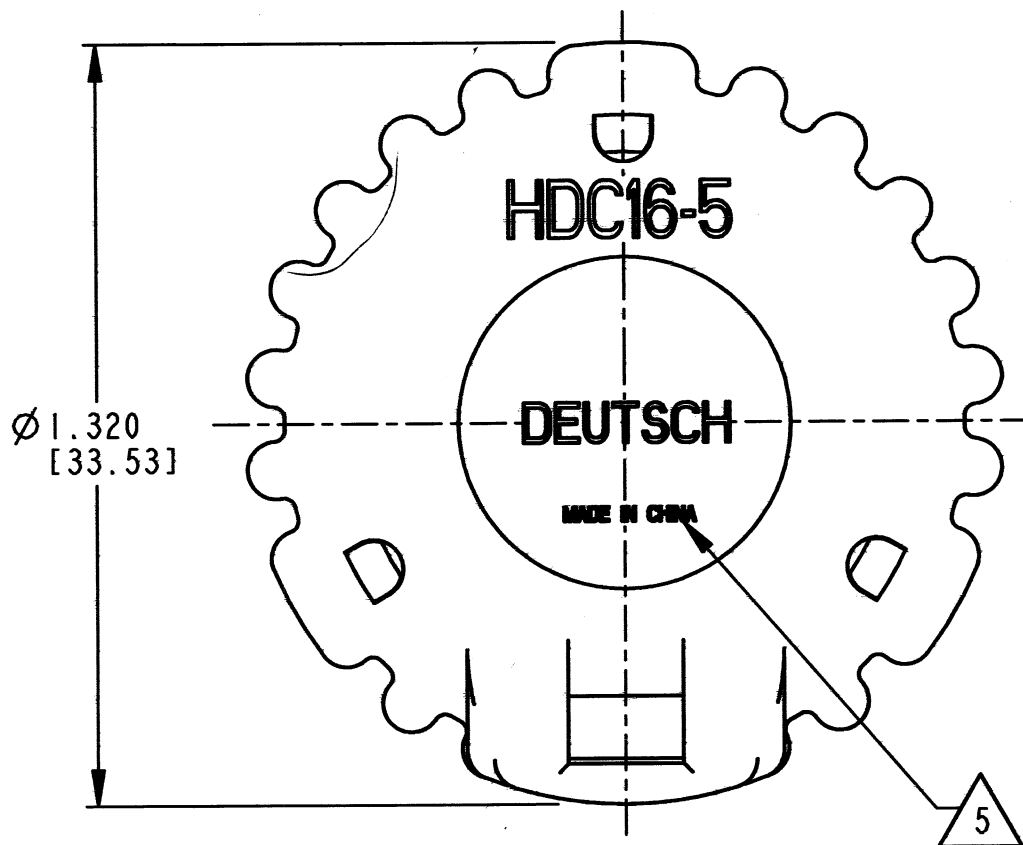
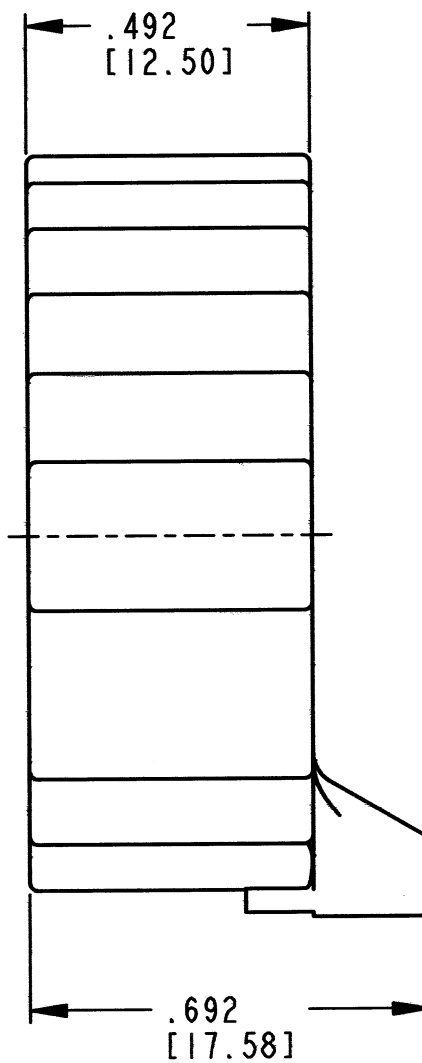
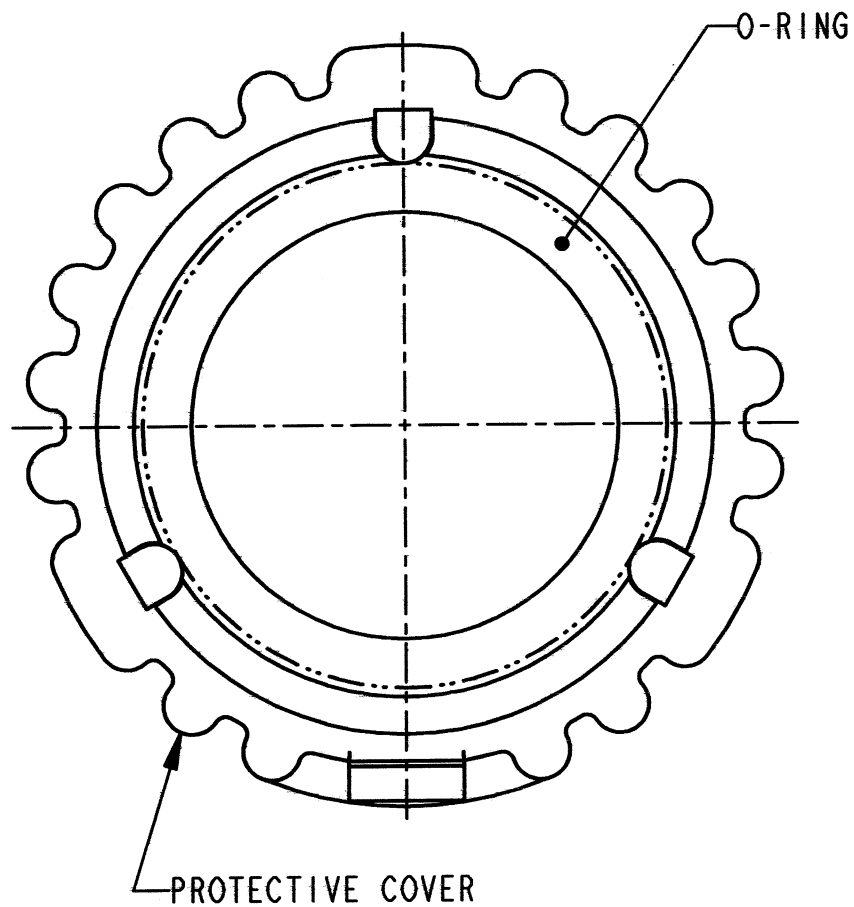


**3D VIEW**



REV  
C

**HDC16-5**

REVISIONS

SYM	DESCRIPTION	DATE	APPROVED
NC	NEW RELEASE PER E.O. A12926	1-18-93	J.A.
A	REVISED PER E.O. P19406	11-17-06	R.D.R.
B	REVISED PER E.O. P20888	7-7-11	R.D.R.
C	REVISED PER E.O. P21509	11/28/12	Dm

5 COUNTRY OF ORIGIN IF OTHER THAN USA AND MEXICO.  
EXAMPLE: MADE IN CHINA

4. COLOR: GRAY

3. MATERIAL: CAP: PLASTIC; SEAL: RUBBER

2. DIMENSION TOLERANCE:  $\pm .025 [ .64 ]$ .

NOTES: 1. DIMENSIONS ARE IN INCHES [mm].

SIGNATURE & DATE	
DR	A. MALAGON 06NOV06
CHK	<i>[Signature]</i> 11/28/12
PE	<i>[Signature]</i> 11/28/12
APPD	<i>[Signature]</i> 11/28/12
SCALE	NONE   WT

PROTECTIVE COVER  
FOR RECEPTACLE  
SIZE 5  
HD10 SERIES

ENVELOPE

MATERIAL CODE	
EP	3850 INDUSTRIAL AVE. HEMET, CA 92545
<b>DEUTSCH INDUSTRIAL</b>	
<b>B</b>	<b>HDC16-5</b>
DWG SIZE	CODE 11139 SHEET   OF